

LED EUB-2140H



Linear Class: U-Shaped T8 (A+B)

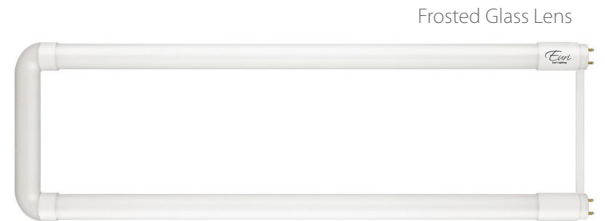
Product Description

A smart energy-saving alternative to traditional fluorescent lighting, the Euri Lighting EUB-2140H outputs high lumens for low watts. With hybrid technology, this U-Shaped LED tube makes for uncomplicated installation with or without a ballast. Shatterproof glass and built to last 50,000 hours, Euri Lighting's EUB-2140H reduces energy and maintenance worries with every use. See Euri Lighting EUB-2150H for Cool White (5000K).



Estimated Energy Cost: \$1.80 - 2.10 per year

*Note: Design, features and specifications subject to change without notice. Some features may not be available on all models. For more information please visit: www.eurilighting.com or call 1-888-743-5766



LED Hybrid Tube

Hybrid technology reduces maintenance expenses and allows adaptable installation methods whether a ballast is present or not

Specifications

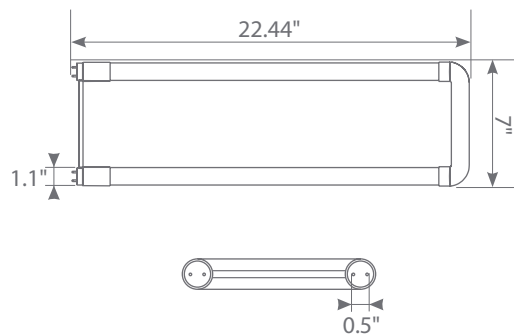
| | Input Power | Lumen Output | Luminous Efficacy | Estimated Yearly Cost | Input Voltage |
|---------------------------------|-------------|--------------|-------------------|-----------------------|---------------|
| Plug & Play (Type A) | 17.5 W | 2150 lm | 122.8 lm/W | \$2.10 | AC120-277 V |
| Bypass (Type B) | 15 W | 1950 lm | 130 lm/W | \$1.80 | |

| CCT | CRI | Beam Angle | Power Factor | Input Current | Base/Cap | Lamp Lifespan |
|--------|-----|------------|--------------|---------------|----------|---------------|
| 4000 K | 83 | 340° | 0.9 | 0.13 A | G13 | 50,000 Hrs. |

Product Features

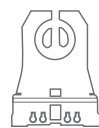
- Energy Efficient
- Damp Rated
- Shatterproof Glass
- Single & Double Ended

Product Dimensions



Lamp Holder Compatibility

Single Ended
(Non-Shunted)



Double Ended
(Shunted)

