

# LED WALL PACK

Model No. EWP-80W103sw

LED **EWP-80W103sw** provides 3 color temperatures and 5 wattage selections, over 110 degree angle creates a wide light distribution, ensuring a convenient application of bright clear light. This LED wall pack can withstand all weather conditions, while reducing your 80% electricity consumption - a must-have for commercial lighting buildings and outdoor areas. Enjoy additional features such as: 0-10V Dimming, Photocell Sensor, Wet Rated, and IP65 Protection.



**±150W**  
REPLACEMENT



5 Wattage Selectable



3CCT Selectable



IP65 Protection



Photocell



0-10V Dimmable



Wet Rated

## Electrical Specifications

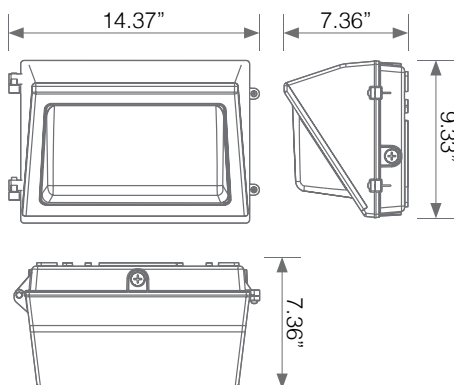
Input Power	Equivalency	Lumen Output(3000K)	Lumen Output(4000K)	Lumen Output(5000K)	CCT	Estimated Yearly Cost
16 W	42W CFL, 70W MHL	2352 lm	2512 lm	2432 lm	3000/4000/5000K	\$1.92
32 W	80W CFL, 150W MHL	4608 lm	4928 lm	4768 lm	3000/4000/5000K	\$3.85
48 W	100W CFL, 150W MHL	6768 lm	7248 lm	7008 lm	3000/4000/5000K	\$5.78
64 W	120W CFL, 175W MHL	8832 lm	9472 lm	9152 lm	3000/4000/5000K	\$7.70
80 W	150W CFL, 250W MHL	10800 lm	11600 lm	11200 lm	3000/4000/5000K	\$9.63

Input Voltage	Luminous Efficacy	Beam Angle	CRI	Input Current	Base	Lamp Lifespan
120-277 V	135-157 lm/W	110°	80	0.85 A	N/A	50,000 Hrs.

## Mechanical Specifications

Rating	Operational Temperature	Inner Box QTY.	Master Box QTY.	Dimensions(in.)	UPC Code
Wet Rated	-40°F - 122°F	N/A	N/A	14.37"(W) x 7.36"(D) x 9.33"(H)	811174034339

## Product Dimensions



## Product Photometric Data

