

LED UFO HIGH BAY

Model No. EUHB-240W3000sw

Introducing the LED **EUHB-240W3000sw** UFO high bay – now featuring 3 CCT and 3 Wattage selectable options. Embodying efficiency and versatility, this light optimizes maximum color and power options while maintaining a lumen efficiency of 135-150 lm/W. Built to perform against weather and water, this light is backed by IP65 rating and DLC certifications for efficiency. Transform your space with ease using its dimming capabilities, and choose intelligent illumination with the optional microwave motion sensor and remote control for further customization.



N/A

REPLACEMENT

200-240
WATTS
3 Wattage Selectable

3500K
5000K
CCT
3CCT Selectable

IP65
Protection

Energy Efficient

0-10V
Dimmable

Wet Rated

Electrical Specifications

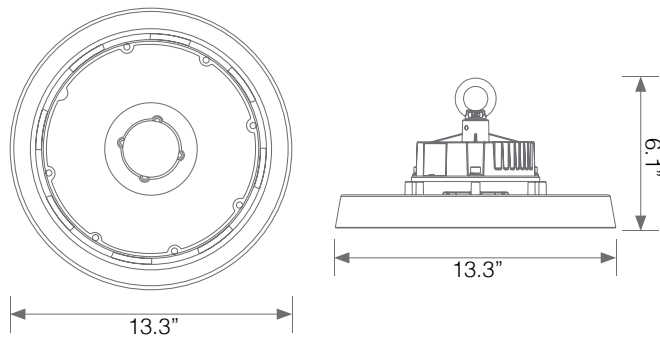
Input Power	Equivalency	Lumen Output(3500K)	Lumen Output(4000K)	Lumen Output(5000K)	CCT	Estimated Yearly Cost
200 W	600 W	27800 lm	31200 lm	29600 lm	3500/4000/5000K	\$24.09
220 W	800 W	30140 lm	33660 lm	31680 lm	3500/4000/5000K	\$26.49
240 W	800 W	32400 lm	36000 lm	33600 lm	3500/4000/5000K	\$28.90

Input Voltage	Luminous Efficacy	Beam Angle	CRI	Input Current	Base	Lamp Lifespan
120-277 V	135-150 lm/W	90°	80	2.4 A	N/A	50,000 Hrs.

Mechanical Specifications

Rating	Operational Temperature	Inner Box QTY.	Master Box QTY.	Dimensions(in.)	UPC Code
Wet Rated	-40°F - 122°F	1 pc	N/A	13.3"(ø) x 6.1"(D)	811174036968

Product Dimensions



Product Photometric Data

