



**Questions?**

For customer service please call us at 1-888-743-5766  
Office Hours: 8:00 a.m. – 5:00 p.m. PST Monday-Friday

**READ ALL WARNINGS AND INSTRUCTIONS PRIOR TO INSTALLING THE T8 RETROFIT LAMPS TO ENSURE SAFETY AND PROPER OPERATION**

**WARNINGS**

- Risk of fire or electric shock. LED Retrofit Kit installation requires knowledge of luminaire electrical systems. If not qualified, do not attempt installation. Contact a qualified electrician in accordance with the National Electrical Code and relevant local code.
- Risk of fire or electric shock. Install this kit only in the luminaires that have the construction features and dimensions shown in the photographs and/or drawings and where the input rating of the retrofit kit does not exceed the input rating of the luminaire.
- To prevent wiring damage or abrasion, do not expose wiring to edges of sheet metal or other sharp objects.
- Do not make or alter any open holes in an enclosure of wiring or electrical components during kit installation.
- This device is not intended for use with emergency exits. Suitable for use with both shunted and non-shunted lamp holders.
- This item is rated at 120-277V. Installer must determine whether line voltage 120-277V is available at the luminaire before installation.

**NOT FOR USE WITH DIMMERS. SUITABLE FOR DAMP LOCATIONS**

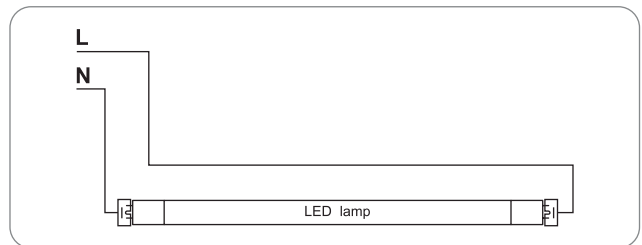
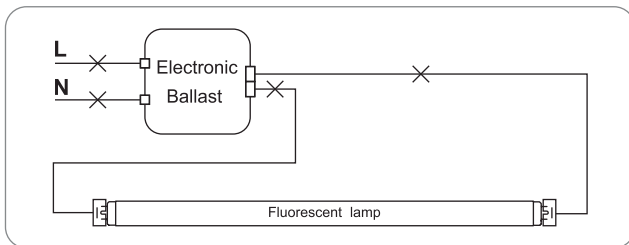
**The below ballast wiring represents typical configuration**

The actual ballast wiring varies according to ballast model.  
It is not needed to change socket (if in good condition) to operate double ended lamps, regardless the type of sockets.  
Please make sure one side of fixture is connected to Live (L) and the other side to Neutral (N).

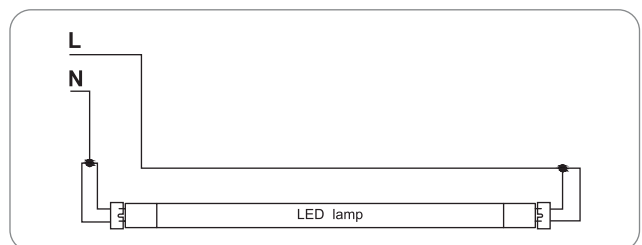
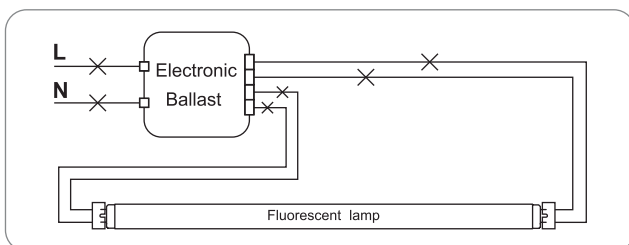
**Wiring Instruction**

**Retrofit luminaire with 1 lamp**

**Instant Start**



**Program Start or Rapid Start**





**Questions?**

For customer service please call us at 1-888-743-5766  
Office Hours: 8:00 a.m. – 5:00 p.m. PST Monday-Friday

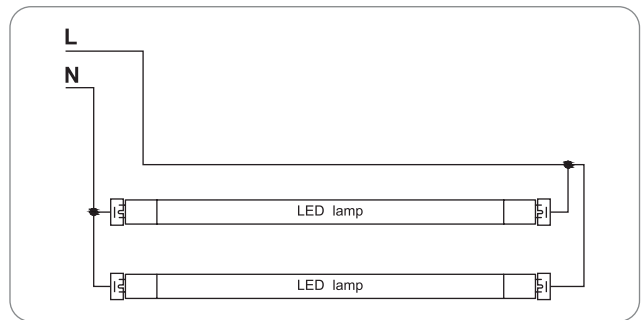
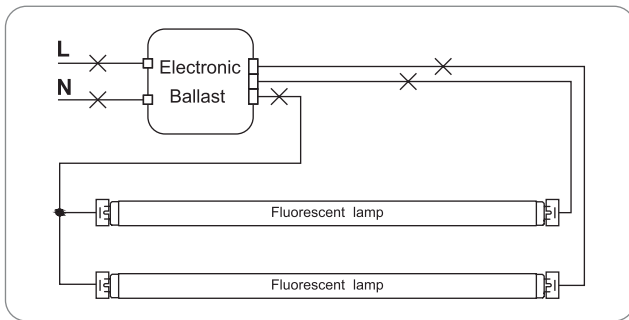
**LED**  
**T8 Tube**  
Bypass Ballast

**READ ALL WARNINGS AND INSTRUCTIONS PRIOR TO INSTALLING THE T8 RETROFIT LAMPS TO ENSURE SAFETY AND PROPER OPERATION**

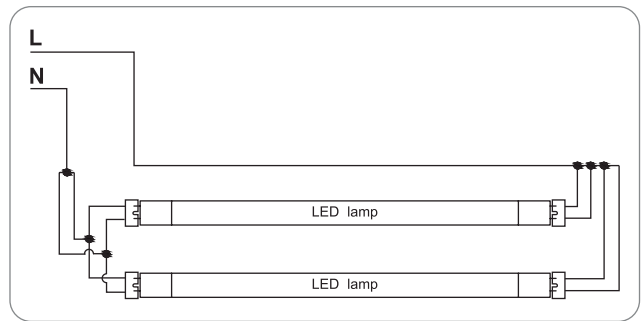
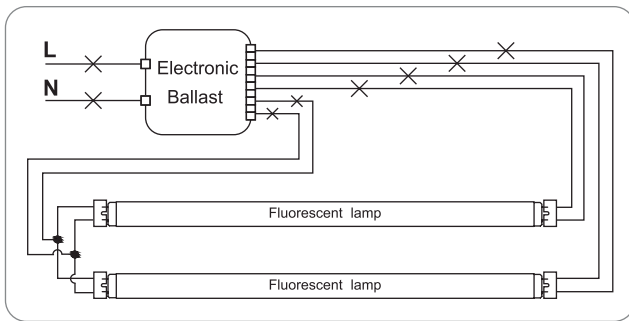
**Wiring Instruction**

**Retrofit luminaire with 2 lamps**

**Instant Start**

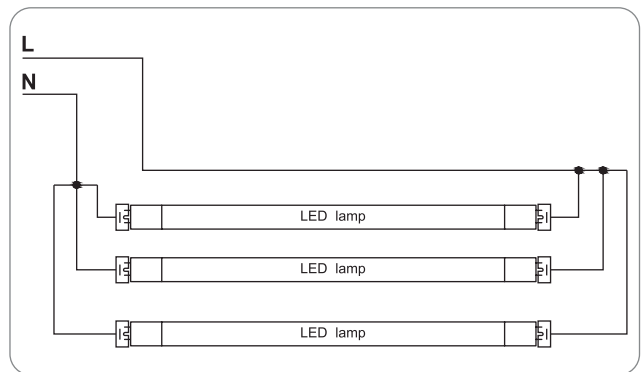
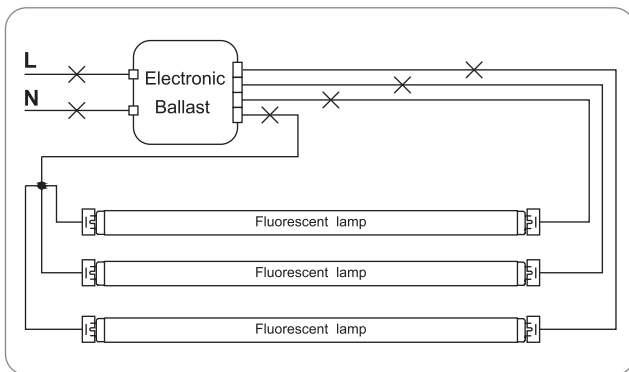


**Program Start or Rapid Start**



**Retrofit luminaire with 3 lamp**

**Instant Start**





**Questions?**

For customer service please call us at 1-888-743-5766  
Office Hours: 8:00 a.m. – 5:00 p.m. PST Monday-Friday

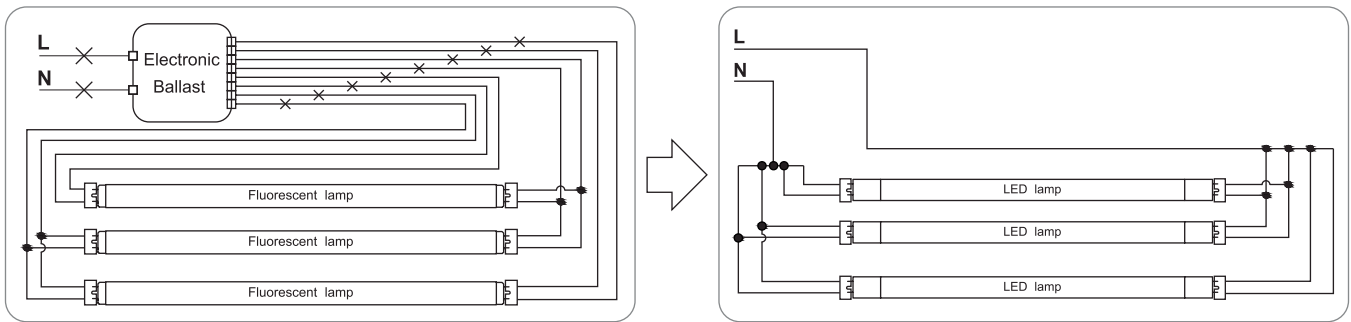
**LED**  
**T8 Tube**  
Bypass Ballast

**READ ALL WARNINGS AND INSTRUCTIONS PRIOR TO INSTALLING THE T8 RETROFIT LAMPS TO ENSURE SAFETY AND PROPER OPERATION**

**Wiring Instruction**

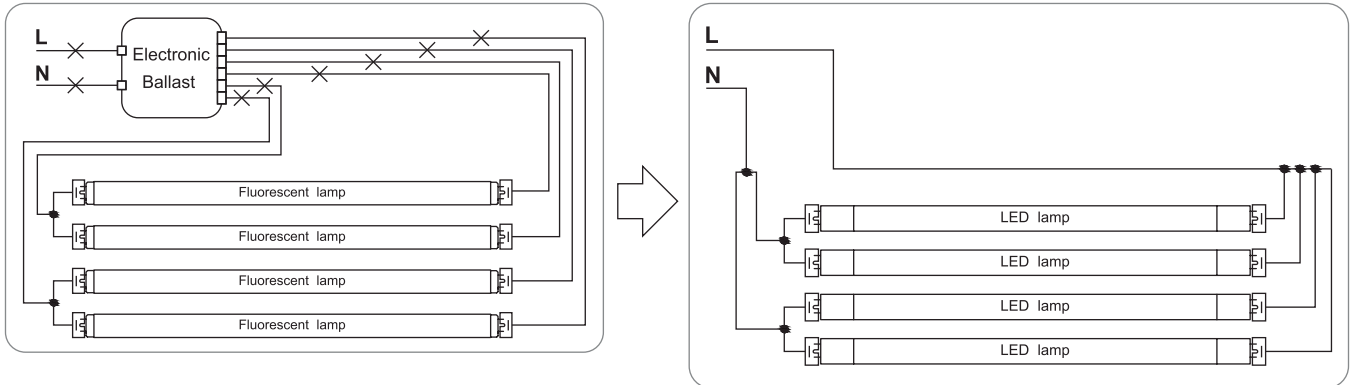
**Retrofit luminaire with 3 lamps**

**Program Start or Rapid Start**



**Retrofit luminaire with 4 lamp**

**Instant Start**



**Program Start or Rapid Start**

