

# LED ET5-2140H

Lamp Class: T5 Hybrid (A+B)



## Product Description

A smart energy-saving alternative to traditional fluorescent lighting, the Euri Lighting ET5-2140H outputs high lumens for low watts. With hybrid technology, this 4-foot LED tube makes for uncomplicated installation with or without a ballast. Shatterproof glass and built to last 50,000 hours, Euri Lighting's ET5-2140H reduces energy and maintenance worries with every use. See Euri Lighting ET5-2150H for Cool White (5000K).



### LED Hybrid Tube

Hybrid technology reduces maintenance expenses and allows adaptable installation methods whether a ballast is present or not



**Estimated Energy Cost: \$2.89-3.19 per year**

\*Note: Design, features and specifications subject to change without notice. Some features may not be available on all models. Please visit [www.eurilighting.com](http://www.eurilighting.com) or call 1-888-743-5766 for more information.

## Specifications

	Input Power	Lumen Output	Luminous Efficacy	Estimated Yearly Cost	Input Voltage
<b>Plug &amp; Play (Type A)</b>	26.5 W	3200 lm	120.7 lm/W	\$3.19	AC120-277 V
<b>Bypass (Type B)</b>	24 W	3200 lm	133 lm/W	\$2.89	

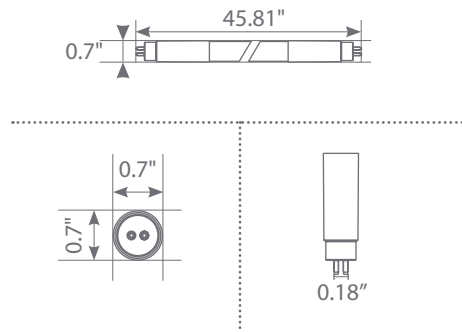
  

CCT	CRI	Beam Angle	Power Factor	Input Current	Base/Cap	Lamp Lifespan
4000 K	83	320°	0.9	0.22 A	G5	50,000 Hrs.

### Product Features

- Energy Efficient
- Damp Rated
- Shatterproof Glass
- Double Ended

### Product Dimensions



### Lamp Holder Compatibility

