



**100W**  
REPLACEMENT

# LED EOL-WL56BLK-1220cec

**2700K**  
CCT

Integrated Outdoor LED Wall Lantern/Matte Black Aluminum Die Cast & Acid-Etched Glass Lens

## Product Description

With classic design and a cottage style, this Euri Lighting LED wall lantern is a great addition to any home exterior. Elegant and endearing, this outdoor wall lantern is designed with matte black housing and acid-etched glass lens. This hanging wall light is offered in relaxing Warm White (2700K) and guarantees long-lasting energy efficiency year after year.



**Estimated Energy Cost:** \$2.04 per year

\*Note: Design, features and specifications subject to change without notice. Some features may not be available on all models. For more information please visit: [www.eurilighting.com](http://www.eurilighting.com) or call 1-888-743-5766



(Contains one LED Bulb per box.)  
Integrated LED Fixture



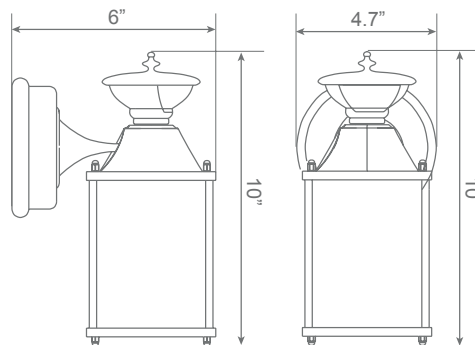
## Specifications

Input Power	Input Voltage	Lumen Output	Beam Angle	Center Beam	CCT
17 W	120 V	1600 lm	150°	N/A	2700 K
CRI	Luminous Efficacy	Power Factor	Input Current	Base/Cap	Lamp Lifespan
90	94 lm/W	0.9	0.14 A	E26	25,000 Hrs.

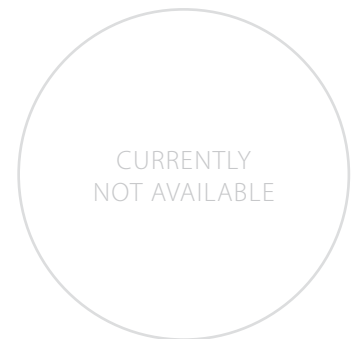
### Product Features

- Dimmable
- Dual Sensor
- Wet Rated
- IP21 Protection

### Product Dimensions



### Product Photometric Data



**Euri Lighting | A Division of ITRONIX Inc.**

20900 Normandie Avenue Bldg. B Torrance, CA 90502 | Tel: 310.787.1100 | Fax: 310.787.1166 | [www.eurilighting.com](http://www.eurilighting.com)  
©2020 Euri Lighting. All Rights Reserved