

LED EUHB-150W1050

5000K
CCT

LED High Bay Light / Glass + Aluminum Housing

Product Description

LED EUHB-150W1050 uses big size chip SMD 2835 technology to achieve the highest luminous efficiency, which provide 150 lumens per watt superior brightness, up to 80% energy savings. Equip with the dimming capacity allows you to adjust the brightness over your space and save energy with the standard 0-10V dimmer. Moreover, the optional microwave motion sensor makes this light is intelligent and further energy saving. Enjoy features such as: Energy Efficient, dimming options, Wet Rated, and IP65 Protection.



Estimated Energy Cost: \$18.06 per year

*Note: Design, features and specifications subject to change without notice. Some features may not be available on all models. For more information please visit: www.eurilighting.com or call 1-310-787-1100

*Operating temperature (-40°F to 131°F) / Storage temperature (-40°F to 176°F)

Specifications

Input Power	Input Voltage	Lumen Output	Beam Angle	Center Beam	CCT
150 W	100-277 V	22500 lm	110°	N/A	5000 K

CRI	Luminous Efficacy	Power Factor	Input Current	Base/Cap	Lamp Lifespan
80	150 lm/W	0.9	1.65 A	N/A	50,000 Hrs.

Product Features



Energy Efficient



0-10V Dimmable

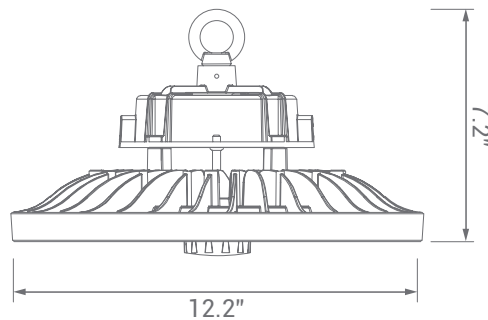


Wet Rated



IP65 Protection

Product Dimensions



Product Photometric Data

