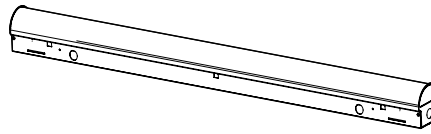




Questions?

For customer service please call us at 1-310-787-1100
Office Hours: 8:00 a.m. – 5:00 p.m. PST Monday-Friday
E-mail: info@eurilighting.com



LED 4ft.
Linear Strip light

PLEASE REVIEW THE INSTRUCTIONS AND WARNINGS LISTED BELOW PRIOR TO PROPER INSTALLATION

WARNING

- To reduce the risk of death, personal injury or property damage from fire, electric shock, falling parts, cuts/abrasions, and other hazards read all warnings and instructions included box and all fixture labels.
- Before installing, servicing, or performing routine maintenance on this equipment, follow these general precautions.
- Commercial installation, service and maintenance of luminaires should be performed by a qualified licensed electrician.
- For the installation: If you are unsure about the installation or maintenance of the luminaires, consult a qualified licensed electrician and check your local electrical code.
- To prevent wiring damage or abrasion, do not expose wiring to edges of sheet metal or other sharp objects.
- Do not make or alter any open holes in an enclosure of wiring or electrical components during kit installation.
- Turn off electrical power at fuse or circuit breaker box before wiring fixture to the power supply.
- Turn off the power when you perform any maintenance.
- Verify that supply voltage is correct by comparing it with the luminaire label information.
- All wiring connections should be capped with UL approved wire connectors.

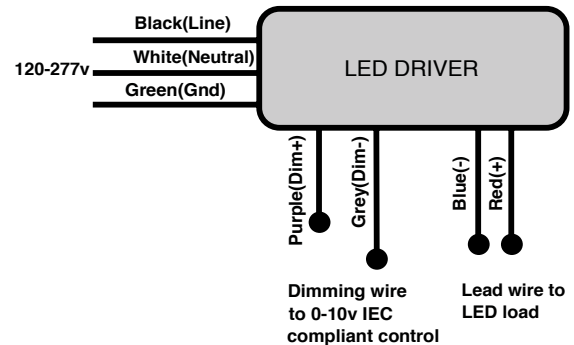
CAUTION

- Avoid direct eye exposure to the light source while it is on.
- Account for small parts and destroy packing material, as these may be hazardous to children.
- Risk of burn. Disconnect power and allow fixture to cool before changing or handing fixture.

NOTE:

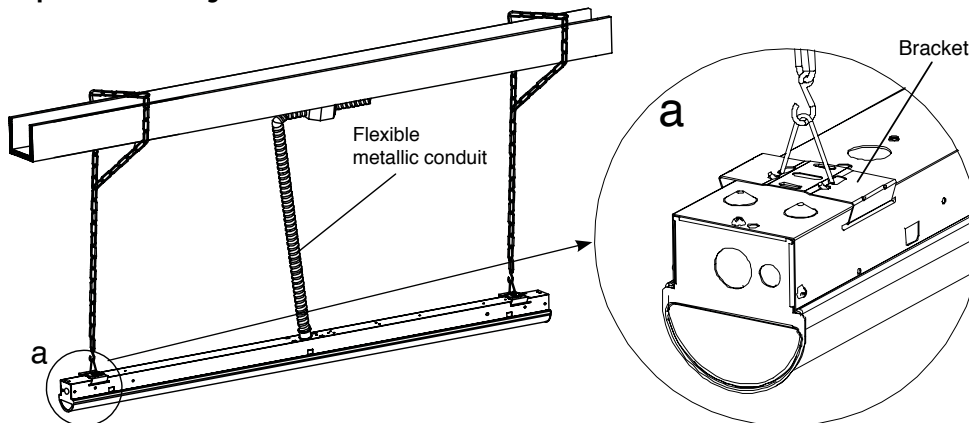
- Green ground screw provided in proper location. Do not relocate.
- Minimum 90° supply conductors.
- Specifications and dimensions subject to change without notice.
- Suitable for Dry or Damp location.

GENERAL WIRING DIAGRAM



INSTALLATION INSTRUCTION - SUSPENDED MOUNTING

Suspended Mounting



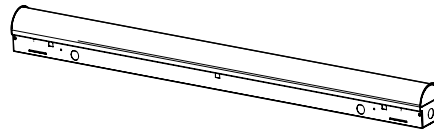
Chain Mounting with V hook

- Step1:** Clip the brackets to the slots of fixture
- Step2:** Attach customer supplied V-Hooks to brackets.
- Step3:** Attach customer supplied chain to the V-hooks and mounting surface.



Questions?

For customer service please call us at 1-310-787-1100
Office Hours: 8:00 a.m. – 5:00 p.m. PST Monday-Friday
E-mail: info@eurilighting.com

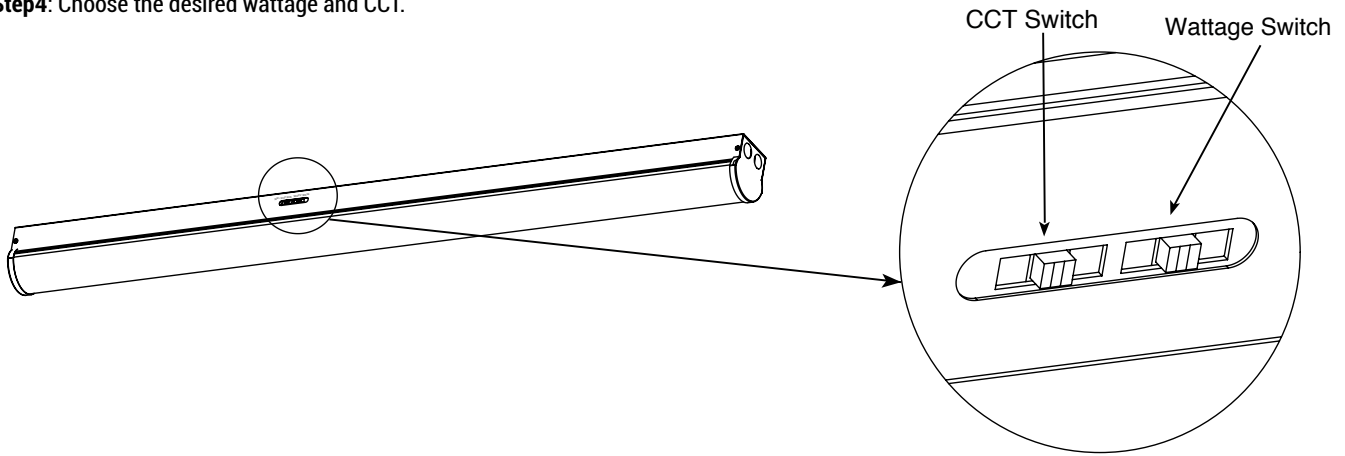


LED 4ft.
Linear Strip light

PLEASE REVIEW THE INSTRUCTIONS AND WARNINGS LISTED BELOW PRIOR TO PROPER INSTALLATION

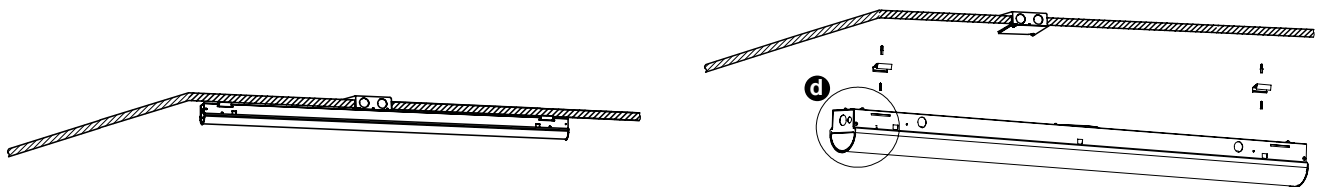
INSTALLATION INSTRUCTION - SUSPENDED MOUNTING

Step4: Choose the desired wattage and CCT.

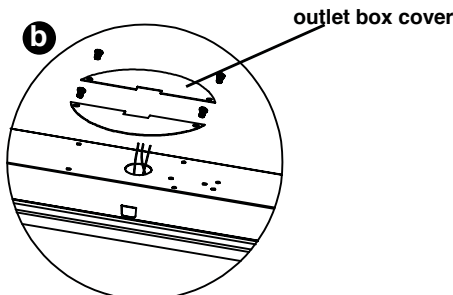


INSTALLATION INSTRUCTION - SURFACE MOUNTING

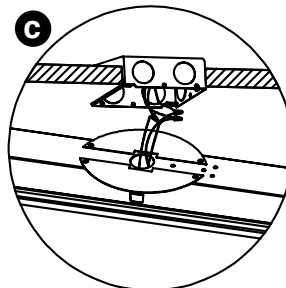
Surface Mounting



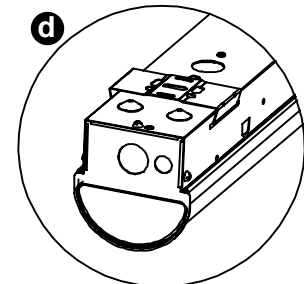
Step1: Secure the provided brackets onto the ceiling by the provided accessories and screws.



Step2: Screw the covers at the outlet of the back of the housing.



Step3: Wire to main power through the junction box



Step4: Then clip the brackets to the slots of fixture