

LED TROFFER

Model No. ETF22-35W103sw-2

LED **ETF22-35W103sw-2** is a color temperature and wattage selectable replacement to traditional fluorescent troffers, featuring an ultra slim design and two wattage options, 25 Watts and 35 Watts on each unit, for a lumen output of either 3250 lumens or 4550 lumens. This troffer provides 50,000 hours of life with consistent light output and offers three color temperature options: Soft White (3000K), Bright White (4000K), and Cool White (5000K). Its best suitable for commercial locations where quality lighting is needed including: office buildings, retail spaces, schools, and health care facilities. This troffer also features 0-10V dimming, 80 CRI, operates on a 100-277V line, and is available in a 2-pack.



N/A

REPLACEMENT

35W

25/35 Watts

**3000K
5000K**

3CCT Selectable

**2
PACK**

Twin Pack

0-10V Dimmable

Damp Rated

**Easy and Fast
Installation**

Electrical Specifications

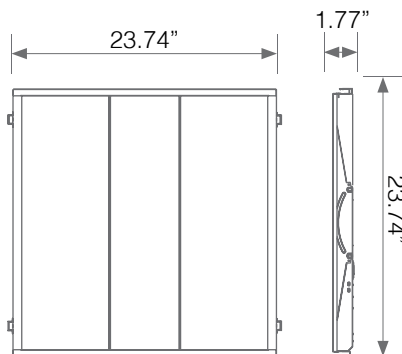
Model No.	Input Power	Input Voltage	Lumen Output	Beam Angle	Center Beam	CCT
ETF22-35W103sw-2	25 / 35 W	AC100 - 277V	3250 / 4550 lm	120°	N/A	3000/4000/5000 K

CRI	Luminous Efficacy	Power Factor	Input Current	Base	Lamp Lifespan	Estimated Yearly Cost
80	130 lm/W	0.9	0.33 A	N/A	50,000 Hrs.	\$ 3.01

Mechanical Specifications

Rating	Operational Temperature	Inner Box QTY.	Master Box QTY.	Dimensions(in.)	UPC Code
Damp Rated	N/A	N/A	2 pcs	23.74"(W) x 23.74"(H) x 1.77"(D)	811174033585

Product Dimensions



Product Photometric Data

