

# LED LIGHT ENGINE

## Model No. EMP-2000cec-20

LED **EMP-2000cec-20** made for seamless light output and hassle-free installation, LED modules are perfect for new or existing light fixtures. Once your existing incandescent, fluorescent or LED-integrated light fixture burns out, simply retrofit this MPLR (multi-purpose LED retrofit) into the fixture's housing. By offering easy, toolless installation, installing this LED module is as simple as screwing in a light bulb. Installing this MPLR eliminates the chore of replacing existing LED fixtures and retrofits incandescent fixtures while reducing unsightly hot spots. For optimal light output, Euri Lighting recommends retrofitting fixtures 6" or less in diameter.



**MPLR**  
(multi-purpose LED retrofit)

**N/A**  
REPLACEMENT

**20W**

20 Watts

**3000K  
5000K**

3CCT Selectable

**90+**  
True COLOR

90+ CRI

**Dimmable**  
(Using Triac)

**Damp Rated**

Damp Rated

**Easy and Fast Installation**

Easy and Fast Installation

### Electrical Specifications

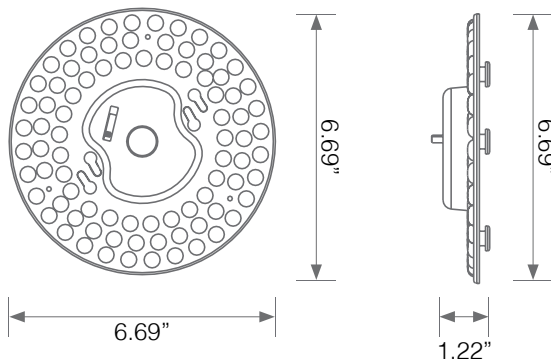
Model No.	Input Power	Input Voltage	Lumen Output	Beam Angle	Center Beam	CCT
EMP-2000cec-20	20 W	120 V	1800 lm	110°	N/A	3000/4000/5000 K

CRI	Luminous Efficacy	Power Factor	Input Current	Base	Lamp Lifespan	Estimated Yearly Cost
90+	90 lm/W	0.9	0.19 A	Hardwire	50,000 Hrs.	\$ 2.40

### Mechanical Specifications

Rating	Operational Temperature	Inner Box QTY.	Master Box QTY.	Dimensions(in.)	UPC Code
Damp Rated	13°F - 113°F	N/A	24 pcs	6.69"(ø) x 1.22"(H)	811174036784

### Product Dimensions



### Product Photometric Data

