

LED FLAME LANTERN

Model No. EFL-230W-MD

A step above simple outdoor lighting, the Euri Lighting Flame Bulb Fixture decorates, illuminates and protects. Note-worthy and inventive, the LED-integrated outdoor lantern is designed with dusk-to-dawn technology, motion sensor detection and an enclosed flame bulb programmed with over 300 LEDs. At sunset, the enclosed flame bulb turns on flicker motion, then when motion is detected, the fixture turns to full brightness. Aside from ensuring safety and security, the decorative lantern offers an aesthetic appeal with water glass, bronze finish, and a swopping S-hook arm.



Bronze Finish
with Water Glass Lens

N/A

REPLACEMENT

- 12.5W**
12.5 Watts
- 3000K CCT**
Soft White
- Motion Sensor**
- Photocell**
- Wet Rated**
- Flame Bulb Included**
- Integrated LED Fixture**

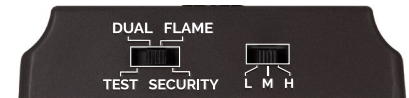
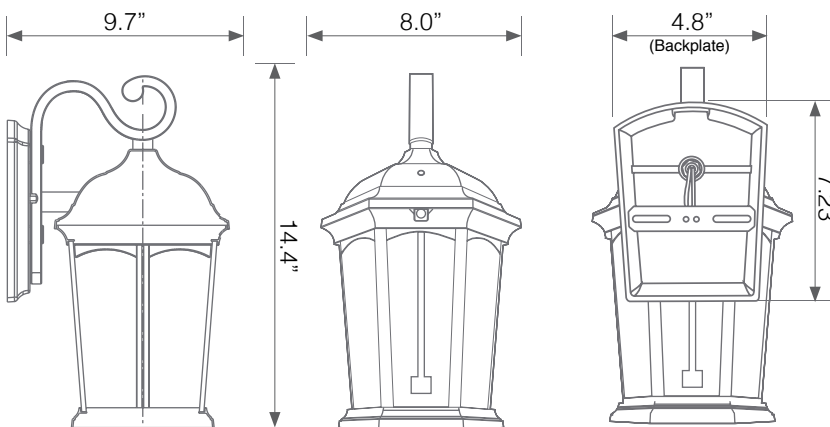
Electrical Specifications

Model No.	Input Power	Input Voltage	Lumen Output	Beam Angle	Center Beam	CCT
EFL-230W-MD	12.5 W	120 V	730 lm	120°	N/A	3000 K
CRI	Luminous Efficacy	Power Factor	Input Current	Base	Lamp Lifespan	Estimated Yearly Cost
80	60 lm/W	0.9	0.14 A	Direct Wiring	50,000 Hrs.	\$ 1.50

Mechanical Specifications

Rating	Operational Temperature	Inner Box QTY.	Master Box QTY.	Dimensions(in.)	UPC Code
Wet Rated	-4°F - 104°F	1	N/A	8.0"(W) x 9.7"(L) x 14.4" (H)	811174034346

Product Dimensions



- TEST**
Upon powering on for 15 seconds, calibration of sensor for the Security light will commence. Once test is complete, select desired setting.
- Dual Mode**
Dual compatible between Flame and Security Light. When dusk comes about, the Flame bulb activates and the security light only triggers once the sensor detects motion.
- Security Mode**
When ambient light falls below 60 lux, the Security light will activate and remain unaltered if manual override is selected. When ambient light reaches 600 lux the security light will turn off.
- Flame Mode**
When ambient light falls below 60 lux, the flame bulb is activated and will remain unaltered if manual override is selected. When ambient light reaches 600 lux the flame bulb will turn off.