



LED DOWNLIGHT

Model No. DLC4-1040e

LED **DLC4-1040e** recessed downlight replaces conventional 75 Watt incandescent bulbs delivering more brightness (lumens) for less energy (Watts). Its dynamic design allows compatibility with 4" cans, as well as reduction of internal bulb heat, providing greater durability and constant fixture performance. Enjoy features such as instant on, dimming options, shatter resistance, mercury free, and True Color (90+ CRI).



75W

REPLACEMENT

13W

13 Watts

4000K
EST

Bright White



90+ CRI



Energy Efficient



Dimmable



Wet Rated

Electrical Specifications

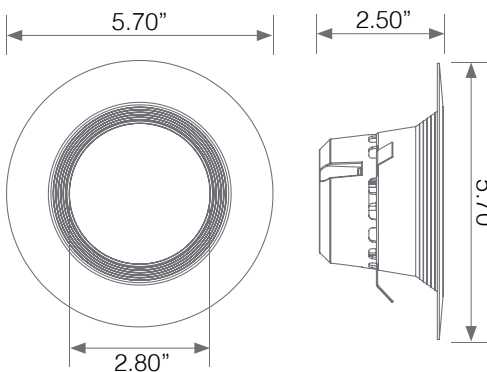
Model No.	Input Power	Input Voltage	Lumen Output	Beam Angle	Center Beam	CCT
DLC4-1040e	13 W	120 V	800 lm	95°	332 cd	4000 K

CRI	Luminous Efficacy	Power Factor	Input Current	Base	Lamp Lifespan	Estimated Yearly Cost
90+	61 lm/W	0.9	0.1 A	E26 adapter	50,000 Hrs.	\$ 1.56

Mechanical Specifications

Rating	Operational Temperature	Inner Box QTY.	Master Box QTY.	Dimensions(in.)	UPC Code
Damp Rated	N/A	N/A	12 pcs	5.70"(ø) x 2.50"(H)	851084007009

Product Dimensions



Product Photometric Data

